

CUFF COLLECTION

TABLES



144

ABOUT CUFF

Echoing mid-century modernism, the Cuff Collection employs hollow cylinders as the foundation for pragmatic variations on a theme – a low-set coffee table with a generously broad circumference, complemented by taller, narrower side and bedside tables. All achieve elegance not only through their materiality and colour palette, but also in harmonies of positive and negative space. Two wide legs emphasise curvature and culminate in a rim that partially hedges the surface to form a modest enclosure. Each table is available in Dark Wenge Veneer and in Leather finishes of warm neutral and earthy tones. A Dark Wenge Veneer tray is available as a conveniently portable, protective accessory for leather-finished pieces; the collection also includes a second shelf for side and bedside tables.

FINISHES

Elmo Soft Leather with Wenge Veneer

LEAD TIME

8 - 10 weeks

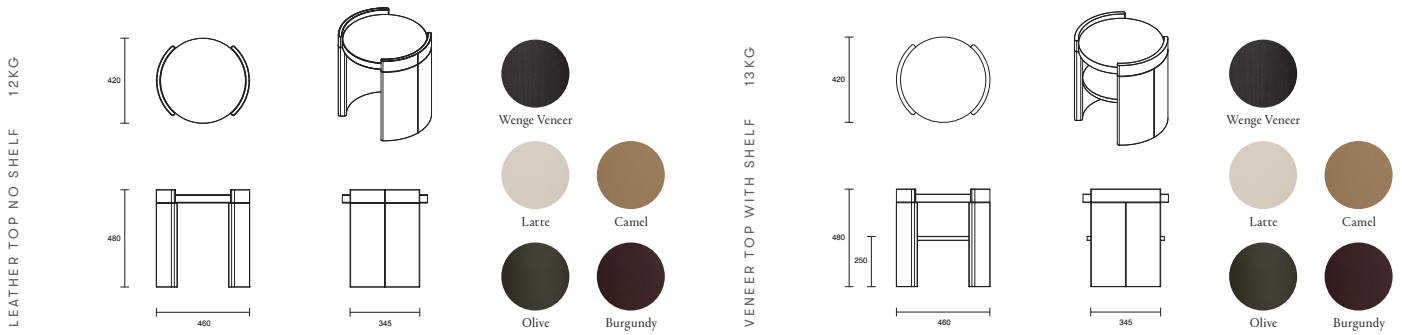
CARE & MAINTENANCE

Refer to Materials & Care Guide on website resources page

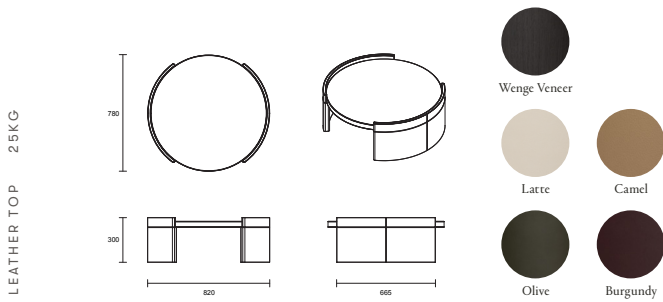
CUFF COLLECTION

TABLES

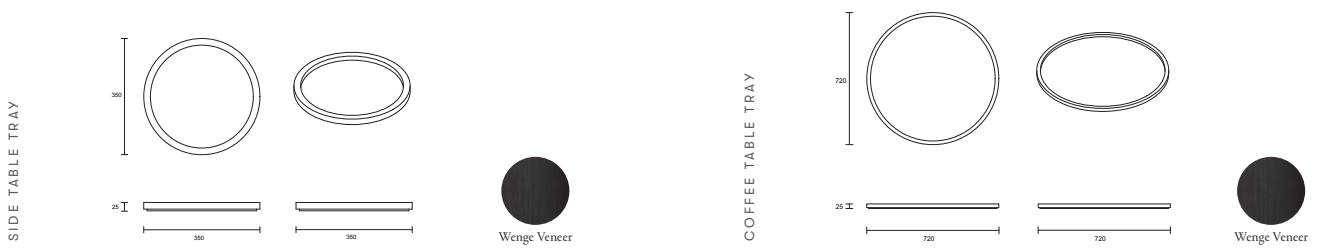
SIDE TABLES



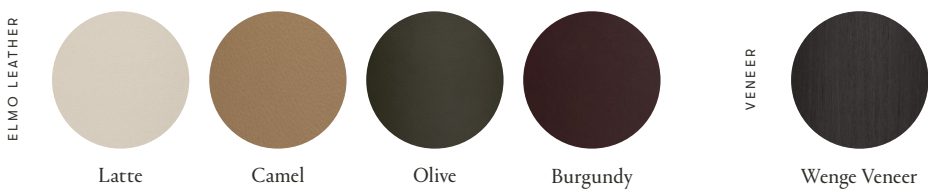
COFFEE TABLE



ACCESSORIES



FINISHES



FIN COLLECTION

TABLES



1/42

ABOUT FIN

An exercise in robust minimalism balanced by fine detailing. Italian timber veneer cylinders of two sizes make for streamlined functionality; slender vertical fins spaced evenly introduce refined visual and textural detail and guide the eye to the surface, where they extend just beyond the rim. The colour palette is one of simple, well-judged contrasts between light and dark – dramatically, where the fins are set against Dark Veneer; and gently, where they span Pale Veneer.

FINISHES

Wenge Veneer with Pale Veneer Fins

LEAD TIME

8 - 10 weeks

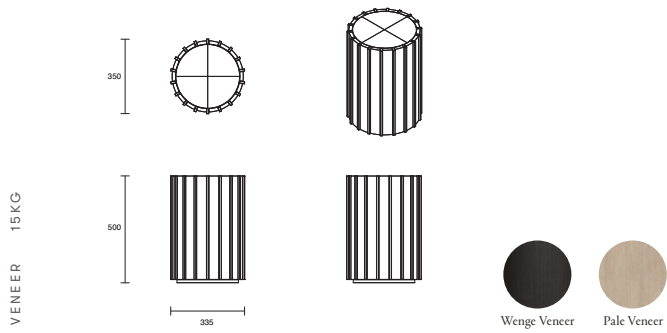
CARE & MAINTENANCE

Refer to Materials & Care Guide on website resources page

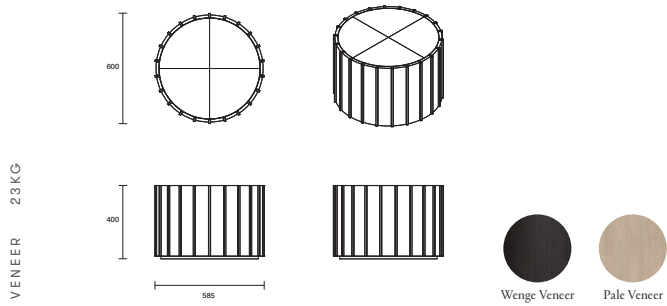
FIN COLLECTION

TABLES

TALL SIDE TABLE



SHORT SIDE TABLE



FINISHES



FLARE COLLECTION

TABLES



1/4/21

ABOUT FLARE

The Flare Collection is defined by materiality and geometric forms that allude to seemingly disparate yet ultimately compatible inspirations. Sculptural, each table comprises two octagonal forms – a base column and a flared upper section. A rich play of colour, texture, light and shadow emerges from individual planes to emphasis and contrast, depending on the choice of finish. Buttressed by metal fins, tables finished in Burnished Brass and Dark Wenge Veneer have a tonality and bold surface textures that command attention. Leather finishes and tones offer a softer yet nonetheless striking presence; Straw Marquetry appeals for its deft artistry.

FINISHES

Burnished Brass with Bronze Fins
Verona Italian (Vintage) Leather with Bronze Fins
Elmo Soft Leather with Bronze Fins
Wenge Veneer with Bronze Fins
Straw Marquetry

LEAD TIME

8 - 10 weeks

CARE & MAINTENANCE

Refer to Materials & Care Guide on website resources page

TABLES

TALL SIDE TABLES

BURNISHED BRASS 40LB

18.5"

18.5"

Burnished Brass

LEATHER 33LB

18.3"

18.3"

Latte Camel

Olive Burgundy

Mimosa Spinifex

VENEER 33LB

18"

18"

Wenge Veneer

STRAW MARQUETRY 17.5LB

17.72"

17.72"

Fog Storm

SHORT SIDE TABLES

BURNISHED BRASS 55LB

23.62"

23.62"

Burnished Brass

LEATHER 44LB

23.62"

23.62"

Latte Camel

Olive Burgundy

Mimosa Spinifex

VENEER 50.5LB

23.9"

23.9"

Wenge Veneer

STRAW MARQUETRY 26.5LB

23.62"

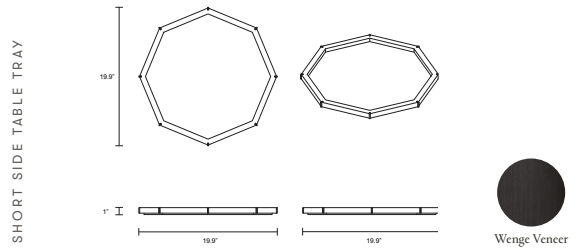
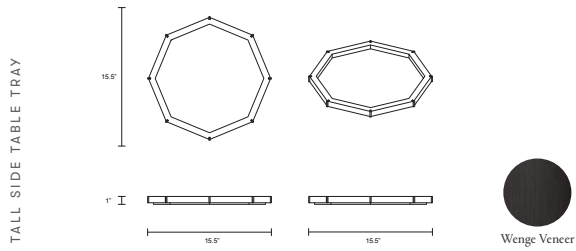
23.62"

Fog Storm

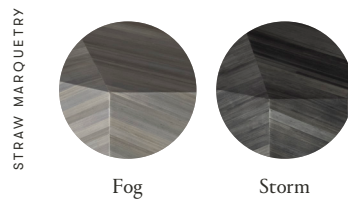
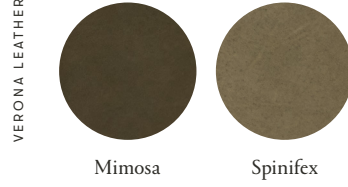
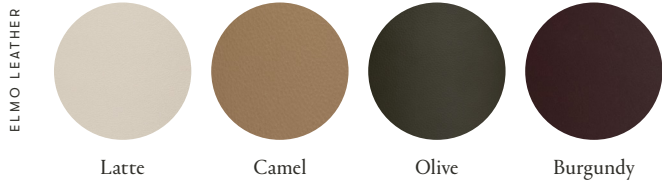


TABLES

ACCESSORIES



FINISHES



SLIP COLLECTION

TABLES



144

ABOUT SLIP

The Slip Collection is distinguished by comforting, simple forms rendered with the utmost sophistication. Each table is a solid cylinder of emphatically clean lines, with a pleasing asymmetry and hints of a mysterious, idiosyncratic character effected by the slight diagonal cantilever of the upper section, which partially reveals an underlying bronze disc. Leather finishes, available in earth and autumn tones, grant a soft texture and evince a palpable warmth. With a firmer but equally appealing tactility, the Dark Wenge Veneer edition evokes a sense of sturdiness and resilience. As leather, timber and bronze age, palette and patina respectively will develop nuances that vary appealingly from one piece to another.

FINISHES

Elmo Soft Leather with Bronze Discs

Veneer with Bronze Discs

LEAD TIME

8 - 10 weeks

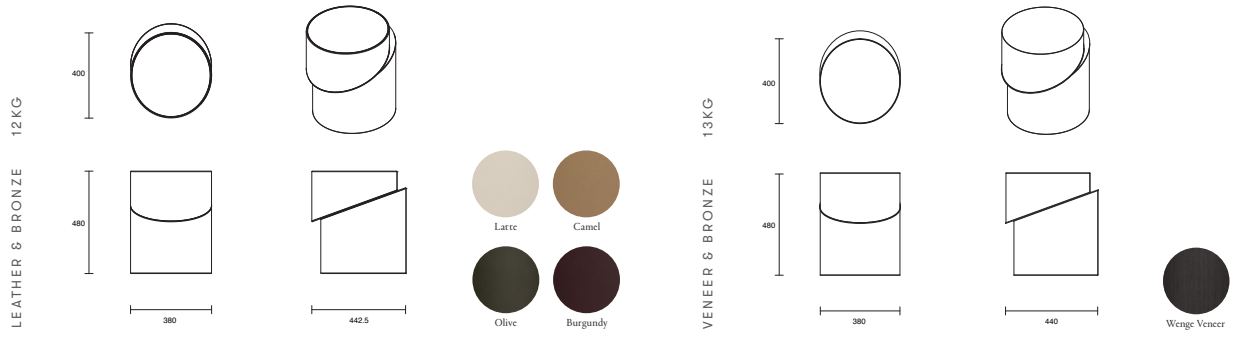
CARE & MAINTENANCE

Refer to Materials & Care Guide on website resources page

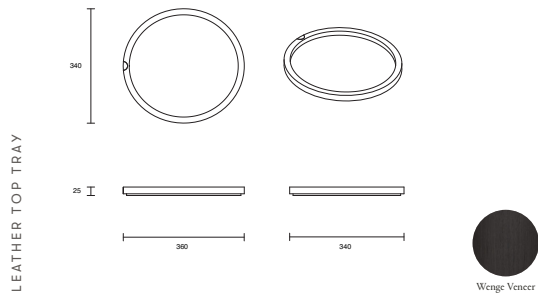
SLIP COLLECTION

TABLES

SIDE TABLES



ACCESSORIES



FINISHES

