

ENTRANCE HANDLE COLLECTION



CYRUS ENTRANCE
large 900



CYRUS ENTRANCE
medium 700



CYRUS ENTRANCE
small 400



FERMAT ENTRANCE
small left



FERMAT ENTRANCE
small right



FERMAT ENTRANCE
medium left



FERMAT ENTRANCE
medium right



FERMAT ENTRANCE
large left



FERMAT ENTRANCE
large right

JOINERY HANDLE COLLECTION



FERMAT JOINERY
large left

FERMAT JOINERY
large right



FERMAT JOINERY
medium left

FERMAT JOINERY
medium right



FERMAT JOINERY
small left

FERMAT JOINERY
small right



FERMAT JOINERY
mini



FERMAT JOINERY
shower



MESSINA JOINERY
small



MESSINA JOINERY
medium

WALL HOOK COLLECTION

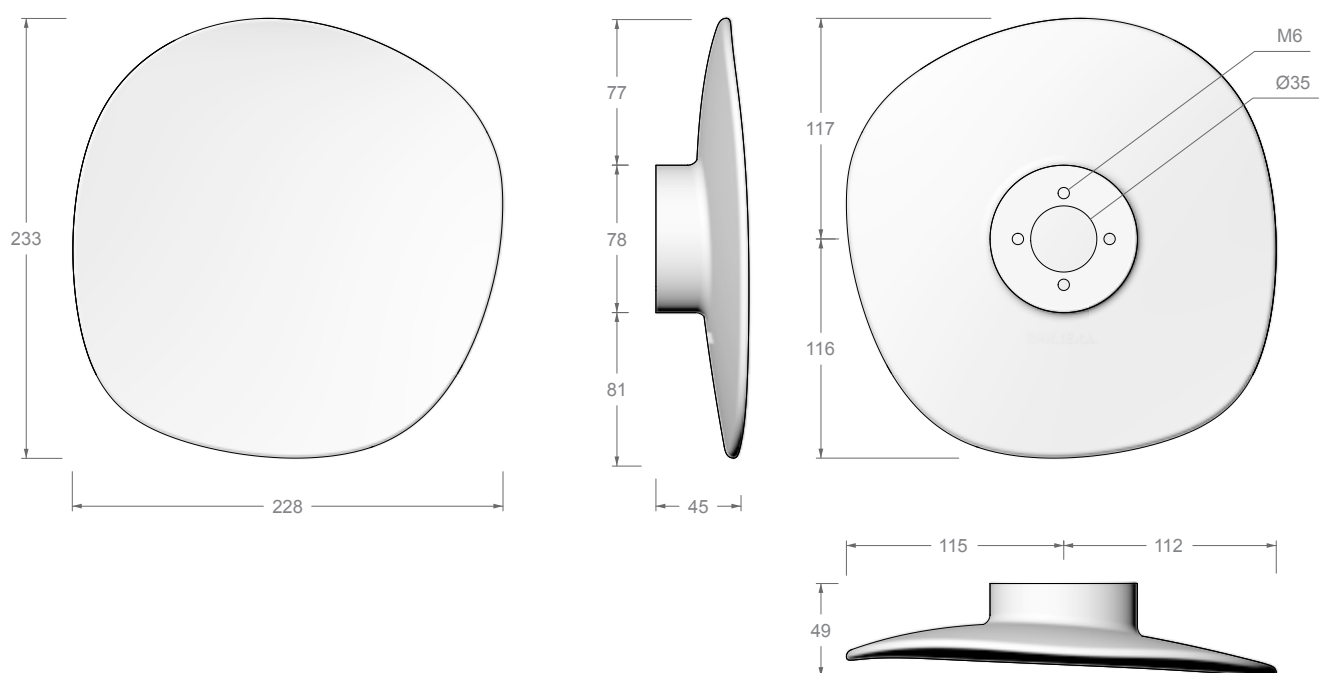


MESSINA WALL HOOK

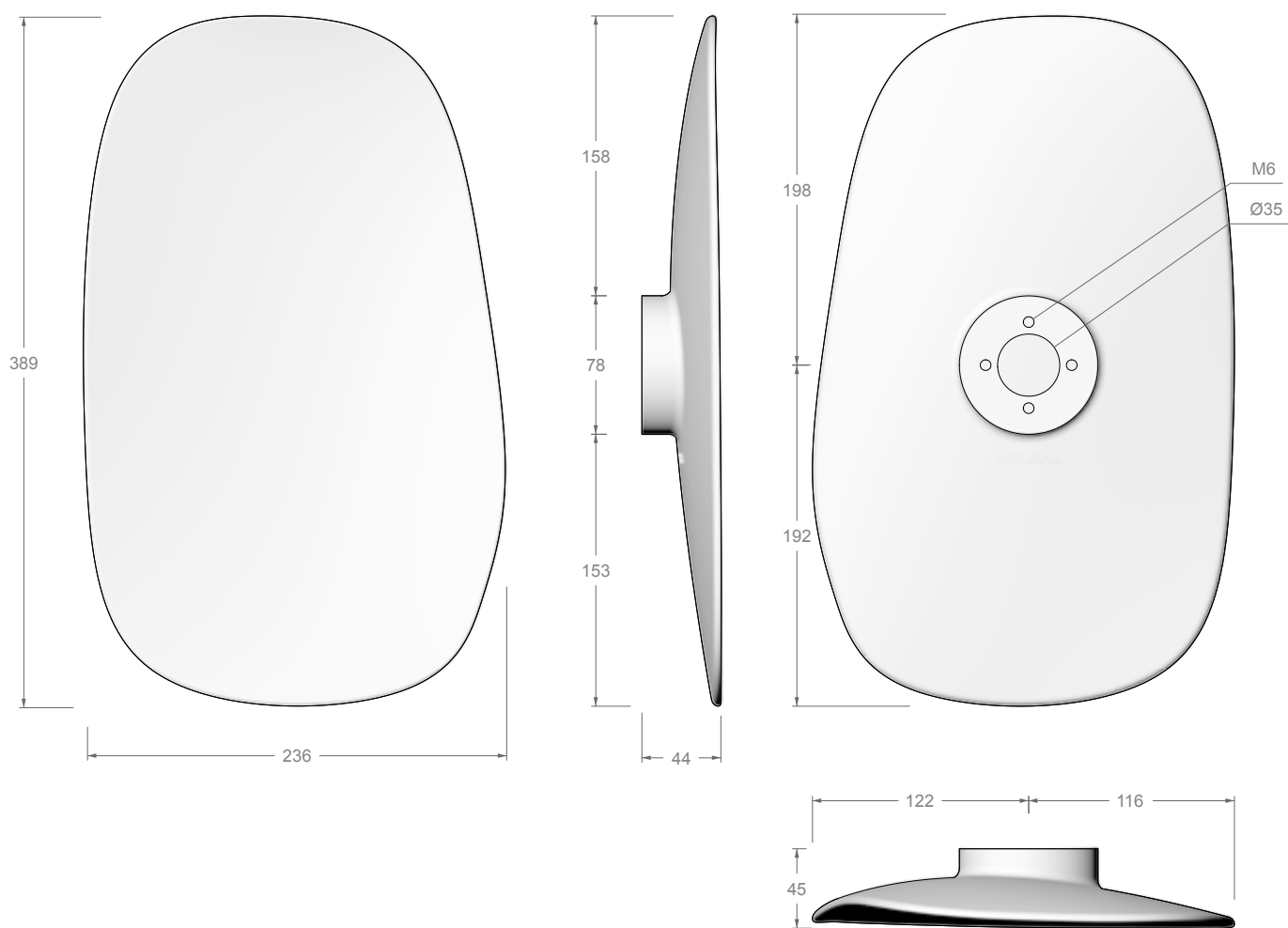


PESCARA WALL HOOK

FERMAT ENTRANCE SMALL

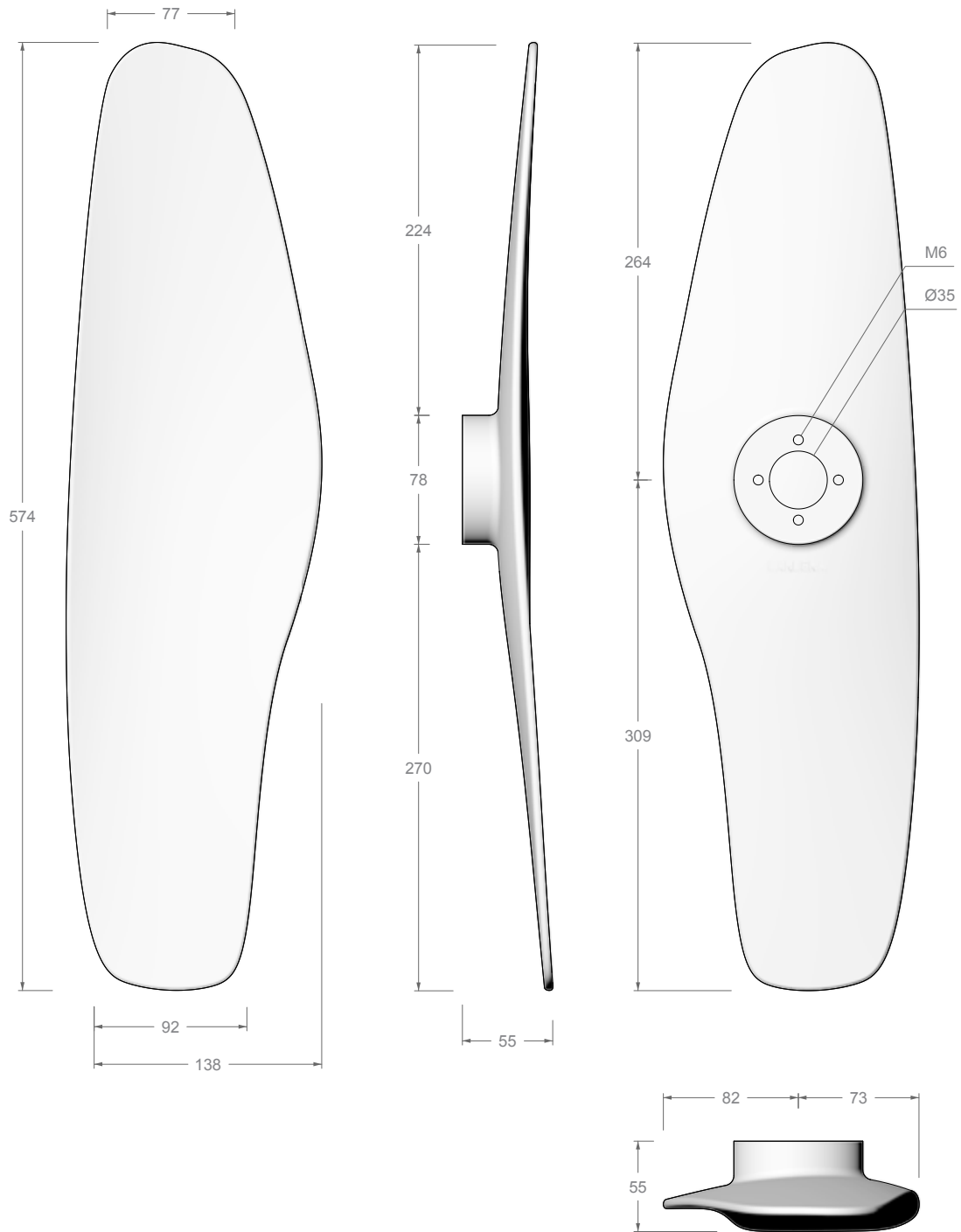


FERMAT ENTRANCE MEDIUM



Scale = 1:4 @A4

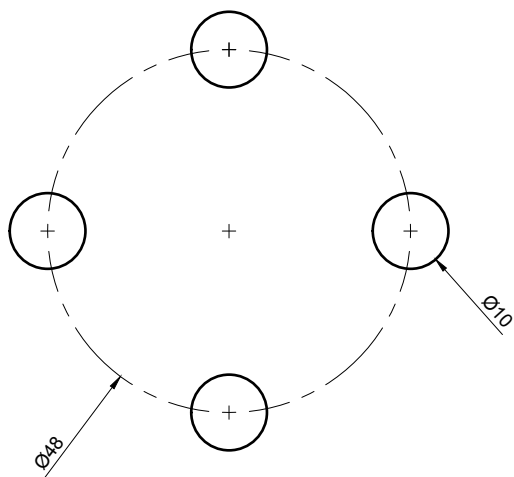
FERMAT ENTRANCE LARGE



Scale = 1:4 @a4

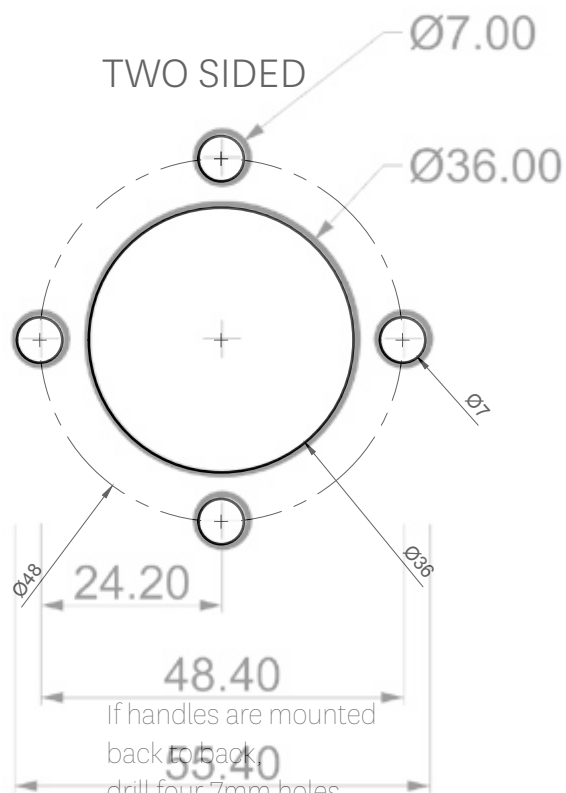
FERMAT ENTRANCE DOOR - HOLE SPACING

ONE SIDED

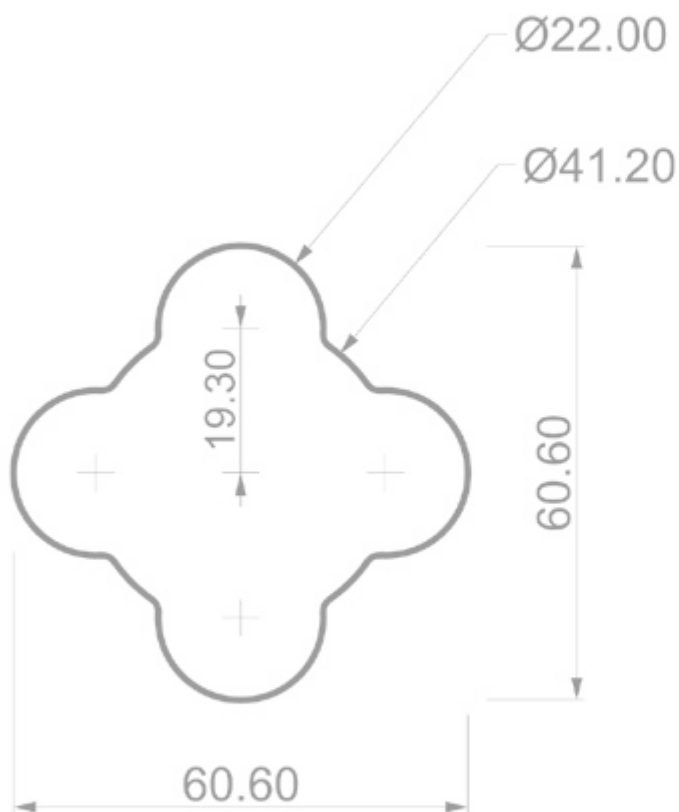


If handle is mounted on only one side, drill four 10mm holes.

TWO SIDED



If handles are mounted back to back, drill four 7mm holes and one 36mm hole.



FERMAT ENTRANCE ASSEMBLY - BACK TO BACK

External Handle

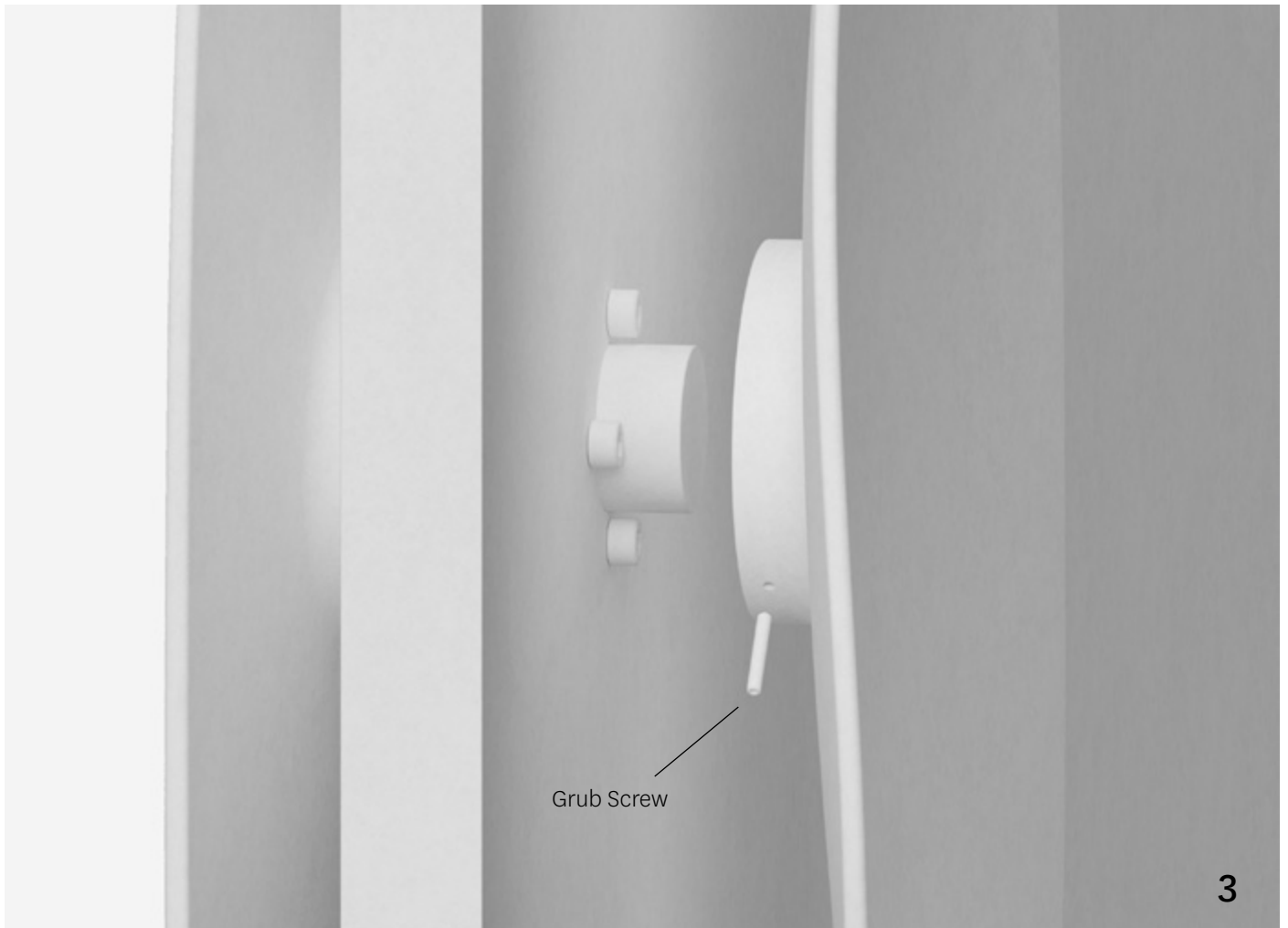
Internal Handle

1

35mm Shaft

M6 Bolts

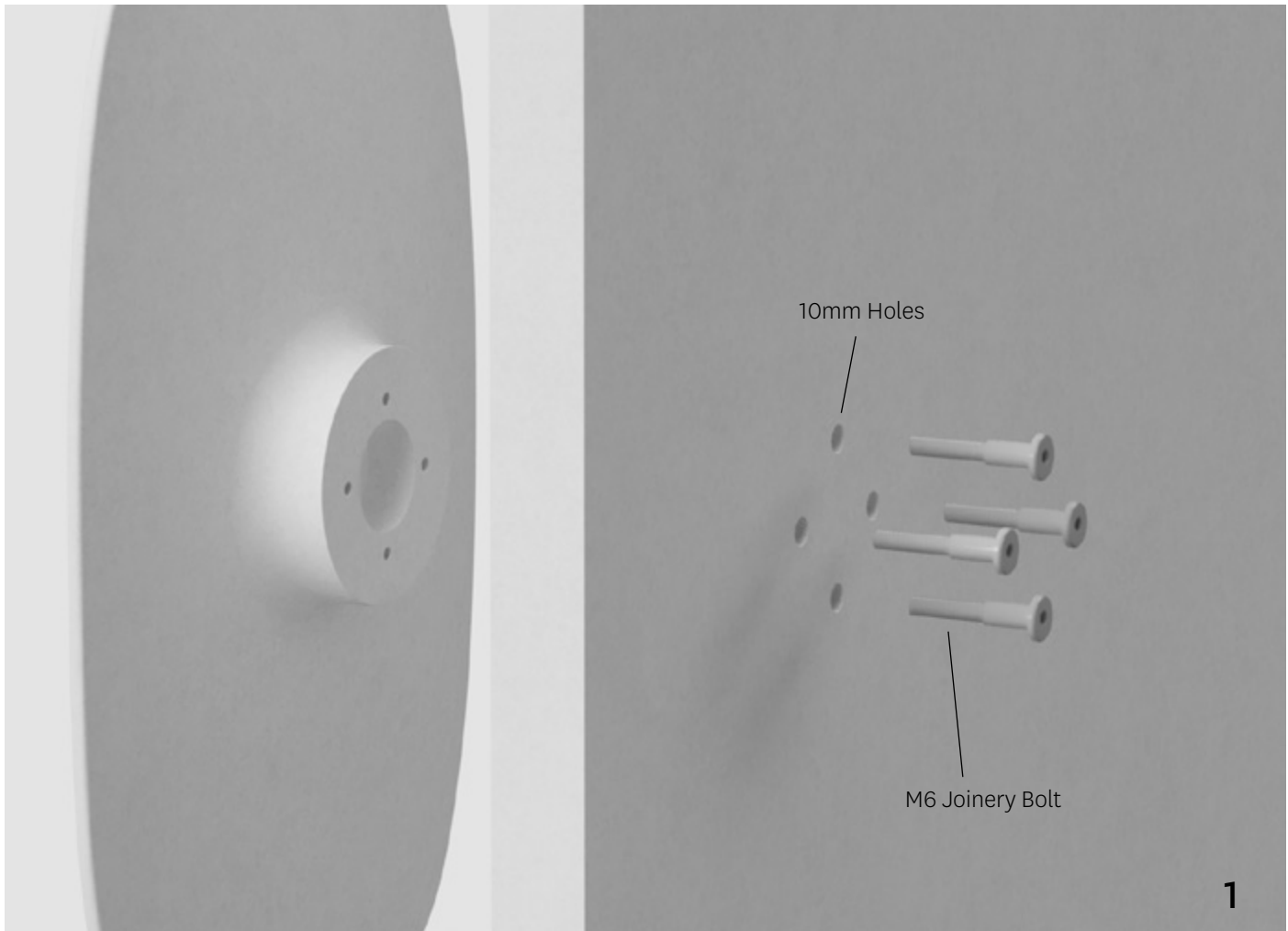
2

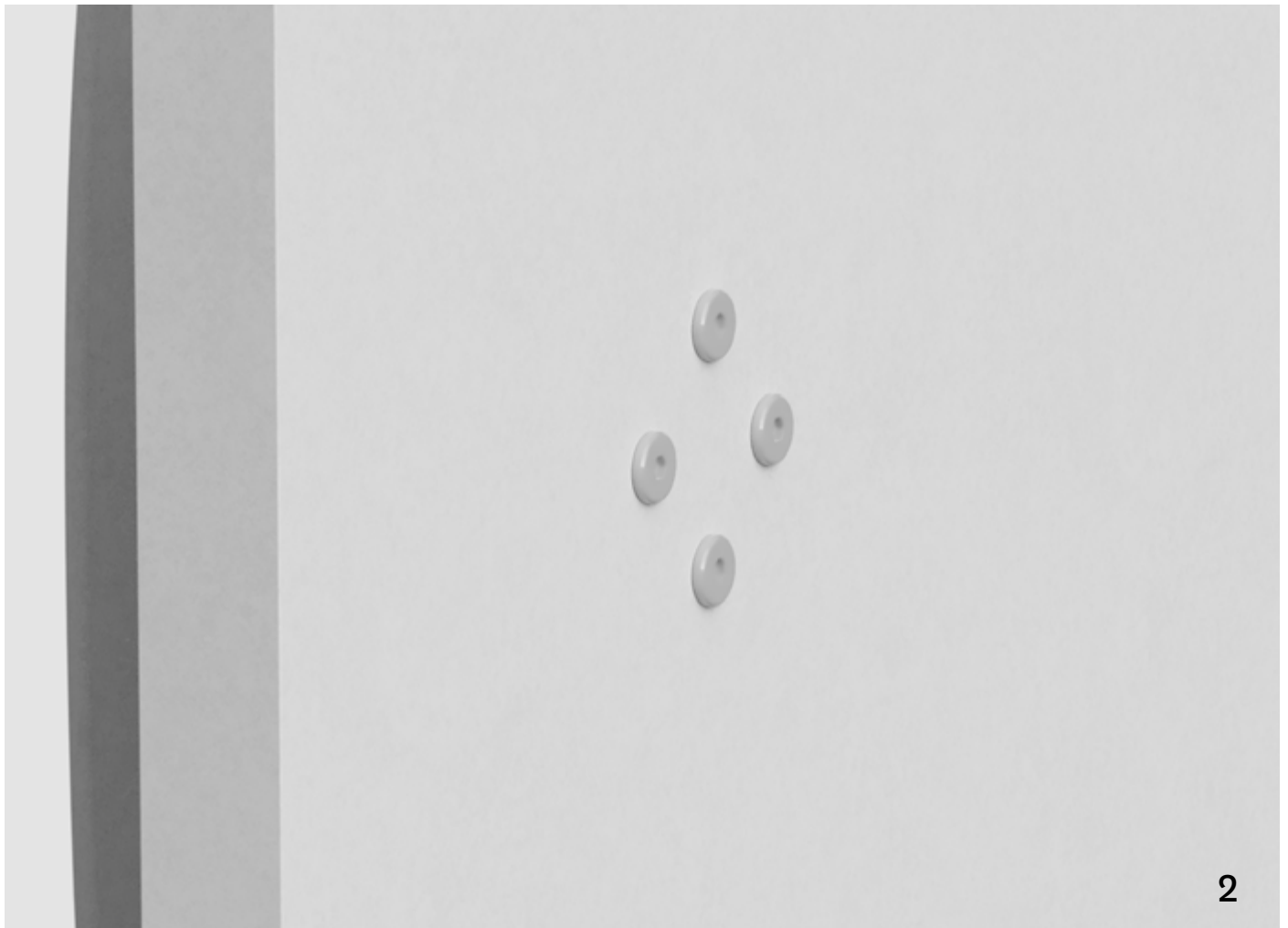


STEPS:

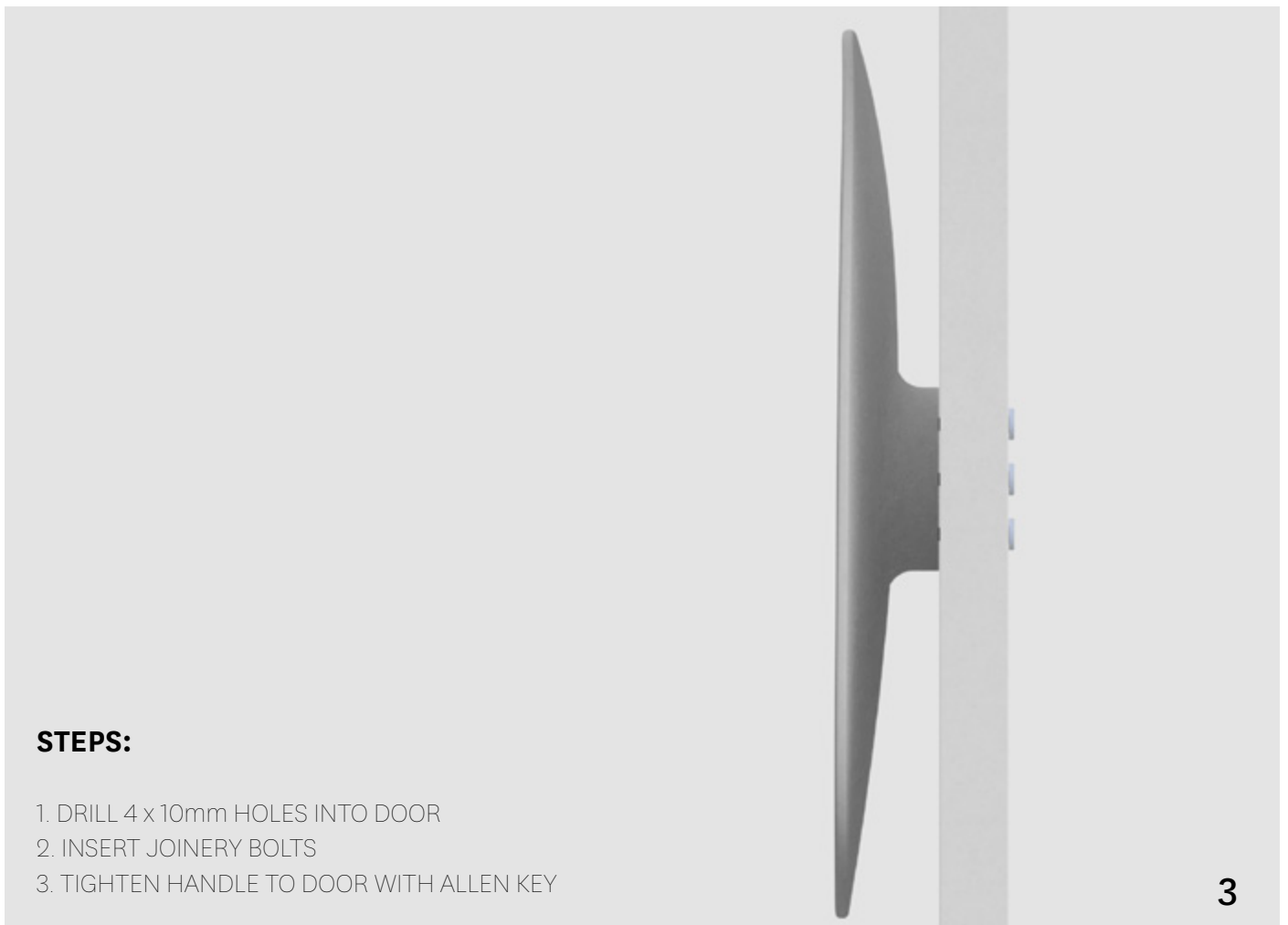
1. DRILL 4 x 7mm HOLES INTO DOOR
2. DRILL HOLE FOR 35mm SHAFT (SIZE WILL DEPEND ON DOOR MATERIAL)
3. INSERT EXTERNAL HANDLE THROUGH DOOR
4. TIGHTEN 4 x M6 BOLTS
5. APPLY RETAINING COMPOUND TO SHAFT
6. SLIDE INTERNAL HANDLE OVER SHAFT
7. INSERT BOTH GRUB SCREWS AND TIGHTEN WITH ALLEN KEY

FERMAT ENTRANCE
ASSEMBLY - ONE SIDED





2



STEPS:

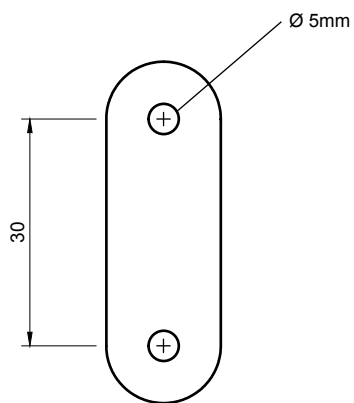
1. DRILL 4 x 10mm HOLES INTO DOOR
2. INSERT JOINERY BOLTS
3. TIGHTEN HANDLE TO DOOR WITH ALLEN KEY

3

FERMAT JOINERY

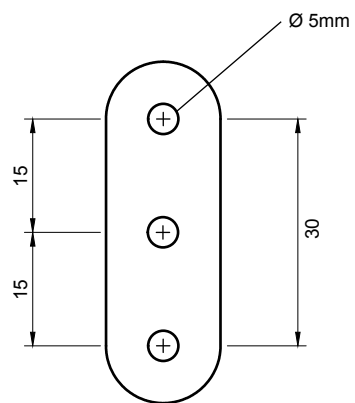
JOINERY - HOLE SPACING

ONE SIDED



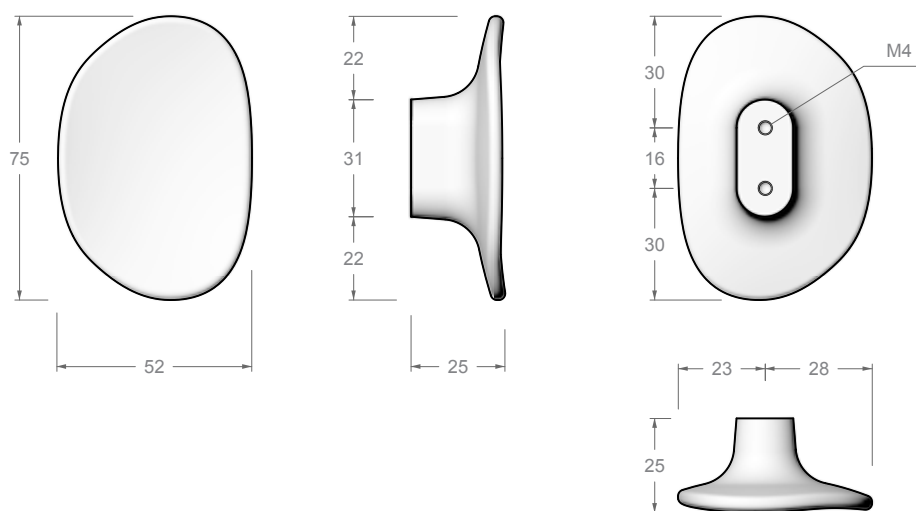
If handle is mounted on only one side, drill two holes.

TWO SIDED



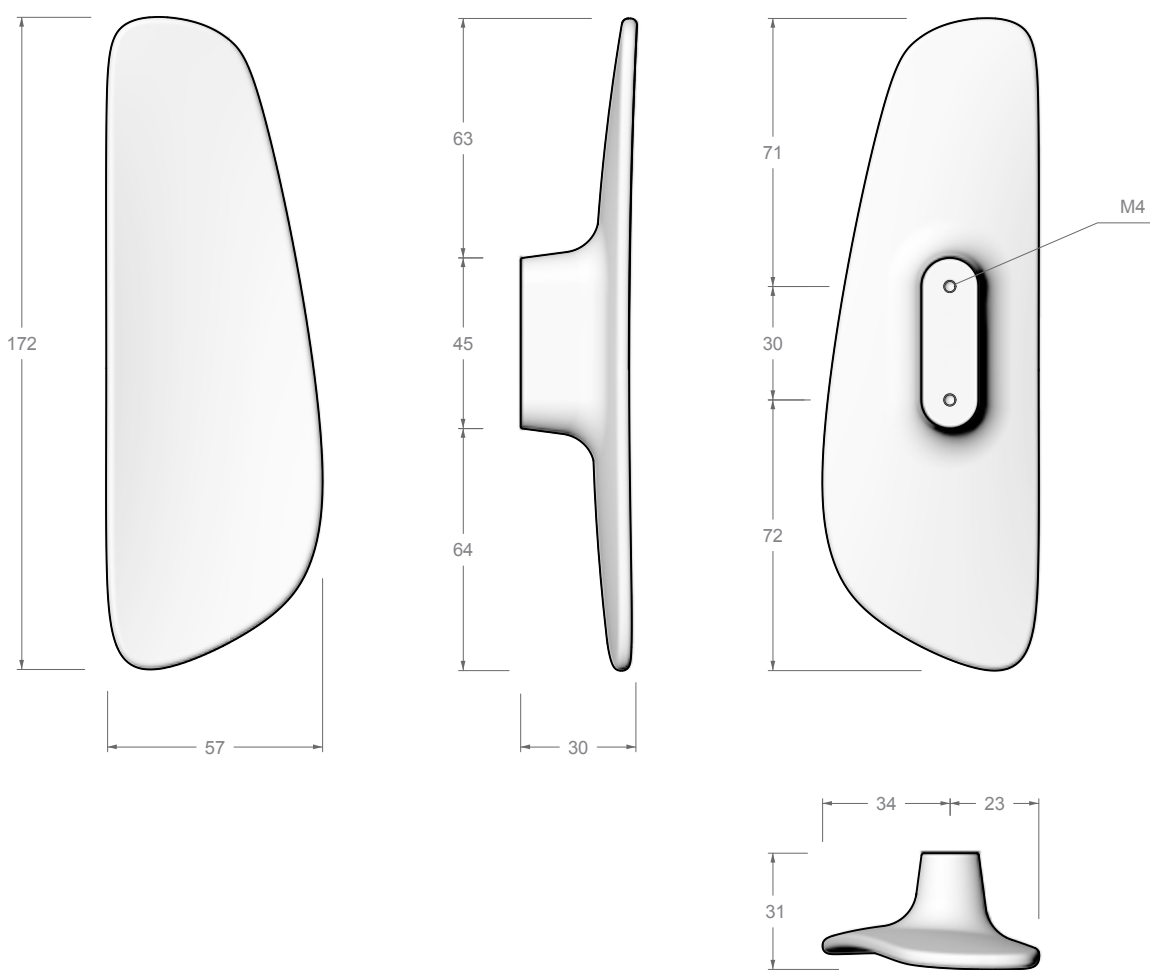
If handles are mounted back to back, drill three holes.

FERMAT JOINERY MINI



FERMAT JOINERY

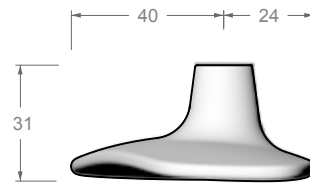
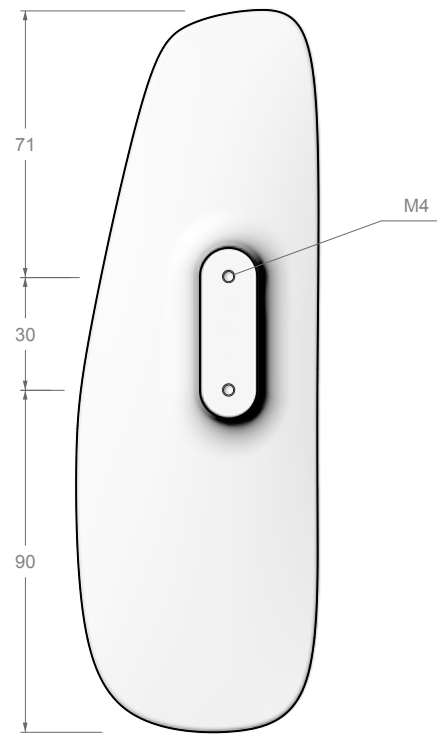
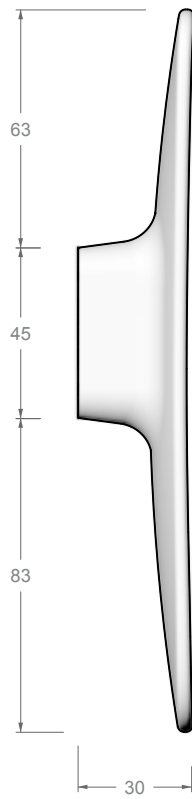
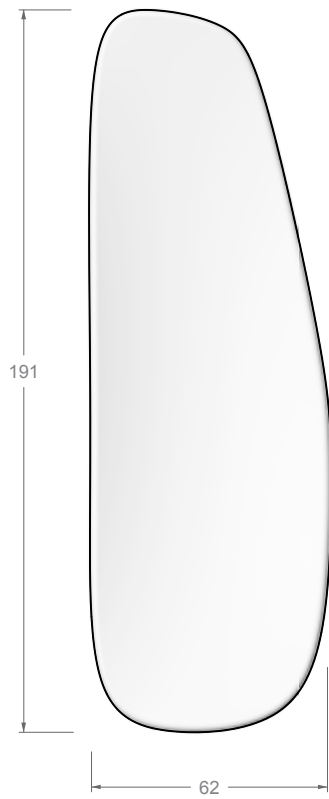
SMALL



Scale = 1:2 @A4

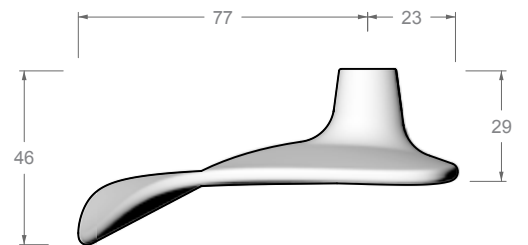
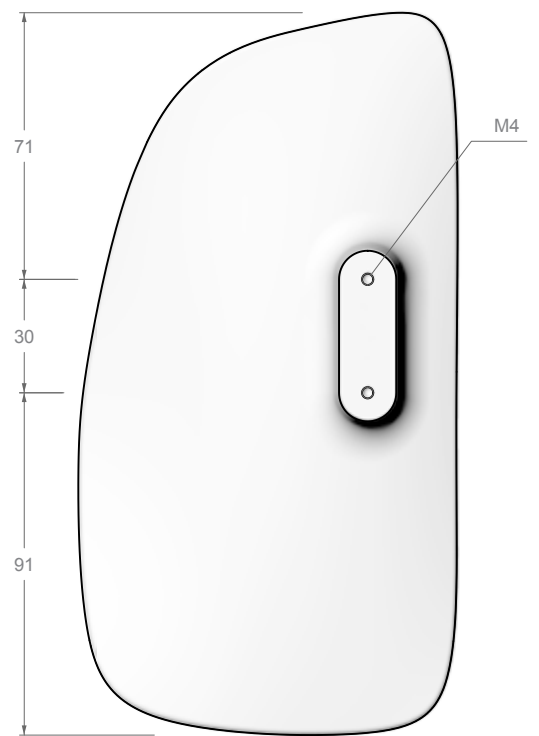
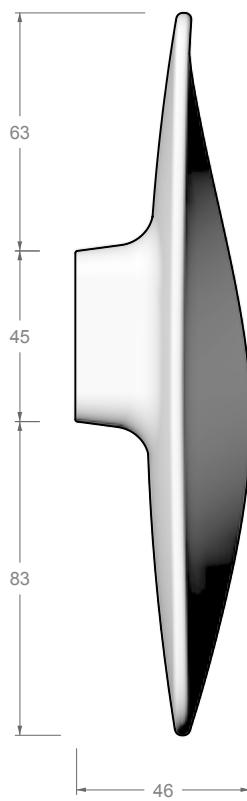
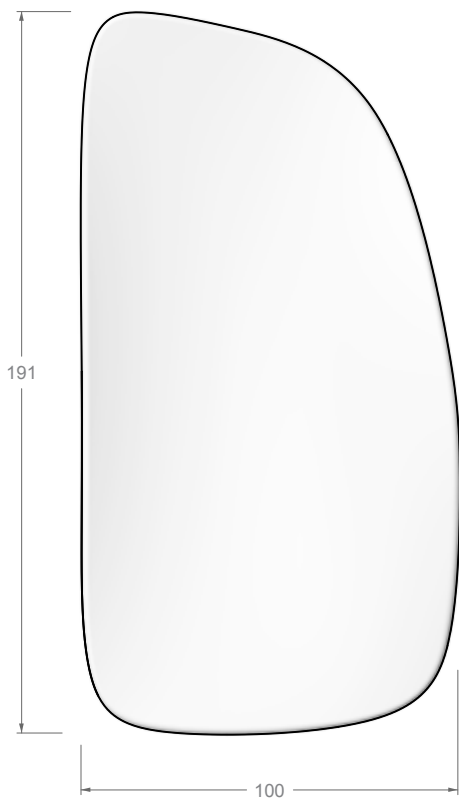
FERMAT JOINERY

MEDIUM

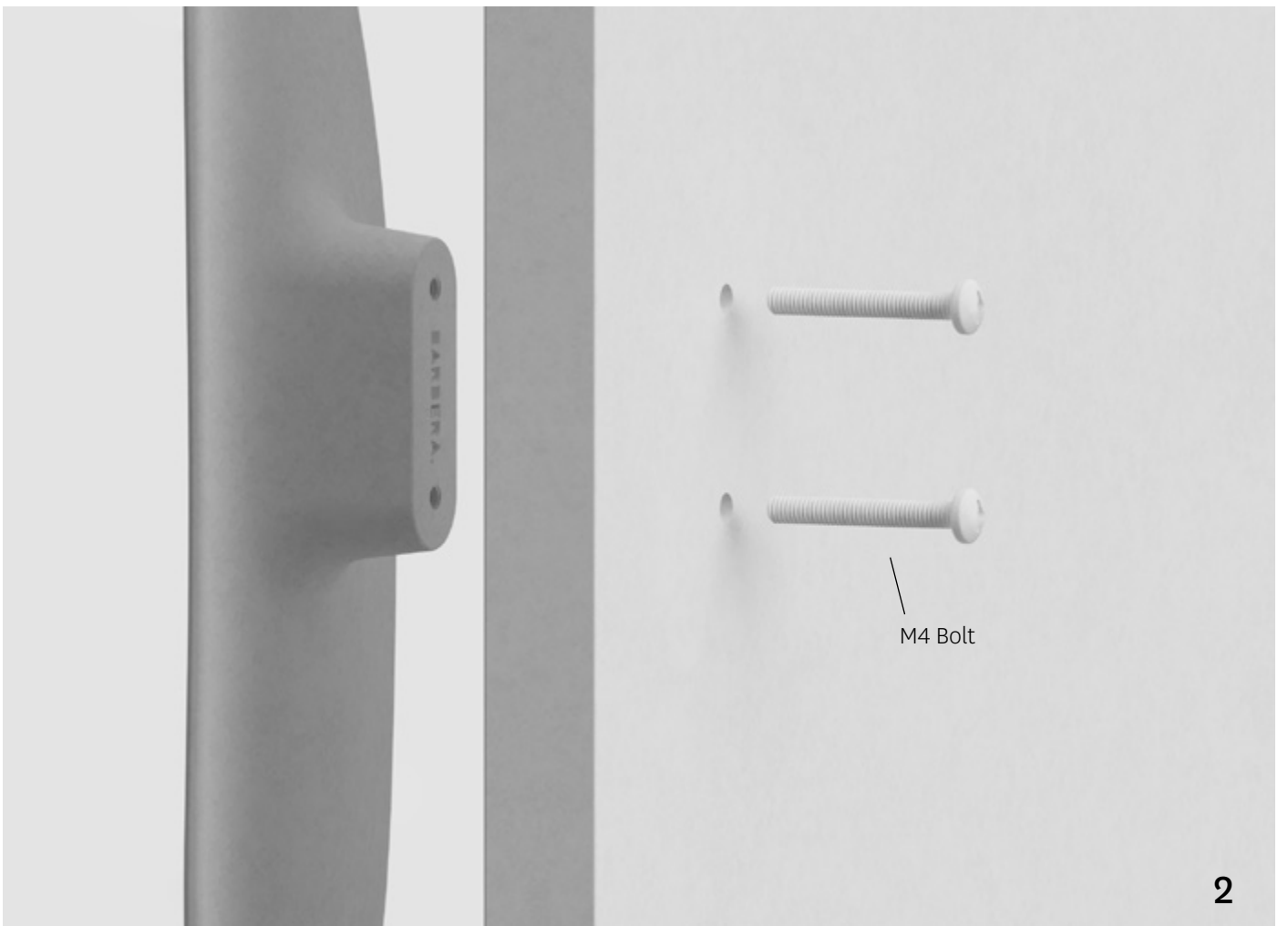
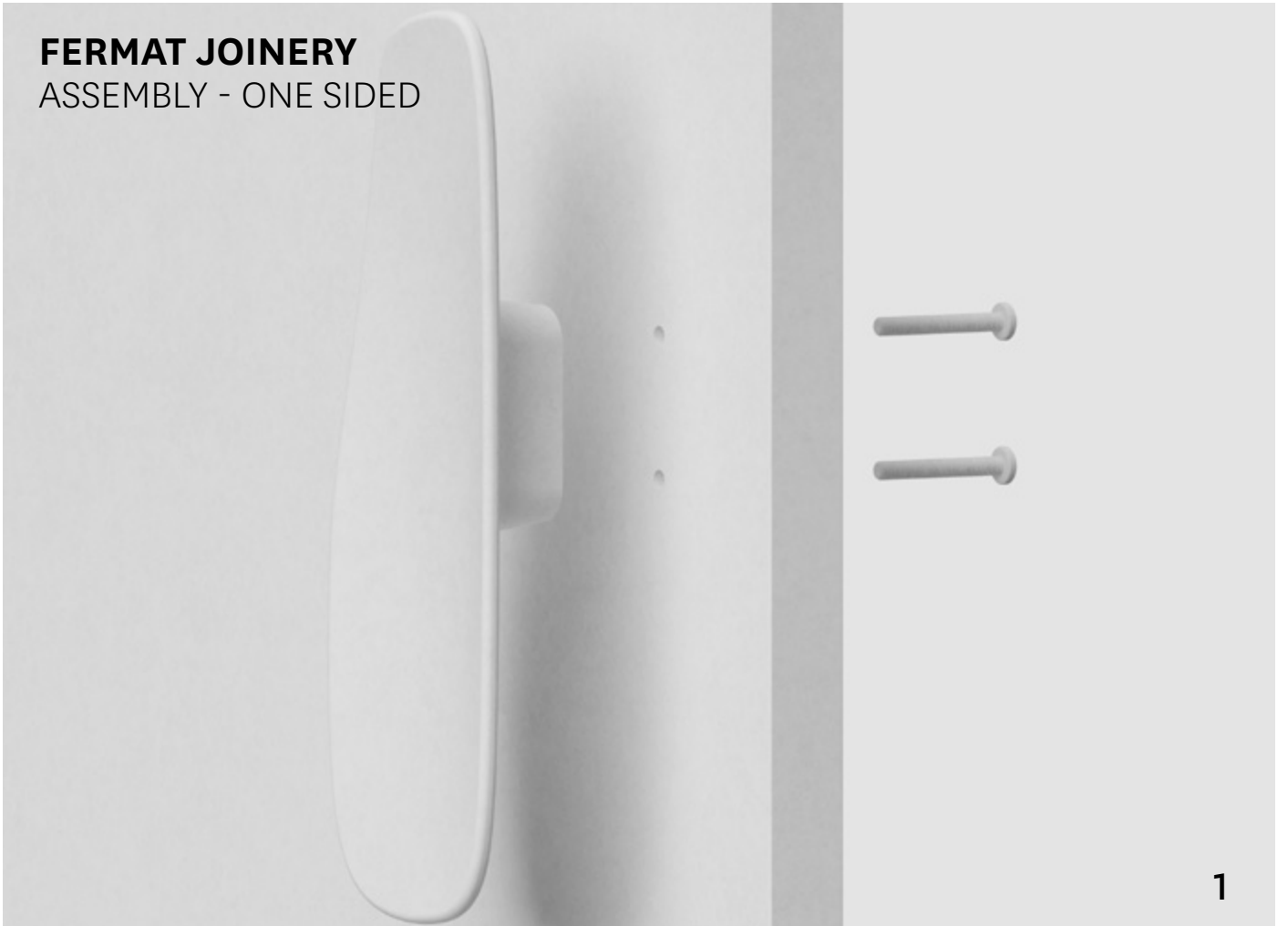


FERMAT JOINERY

LARGE

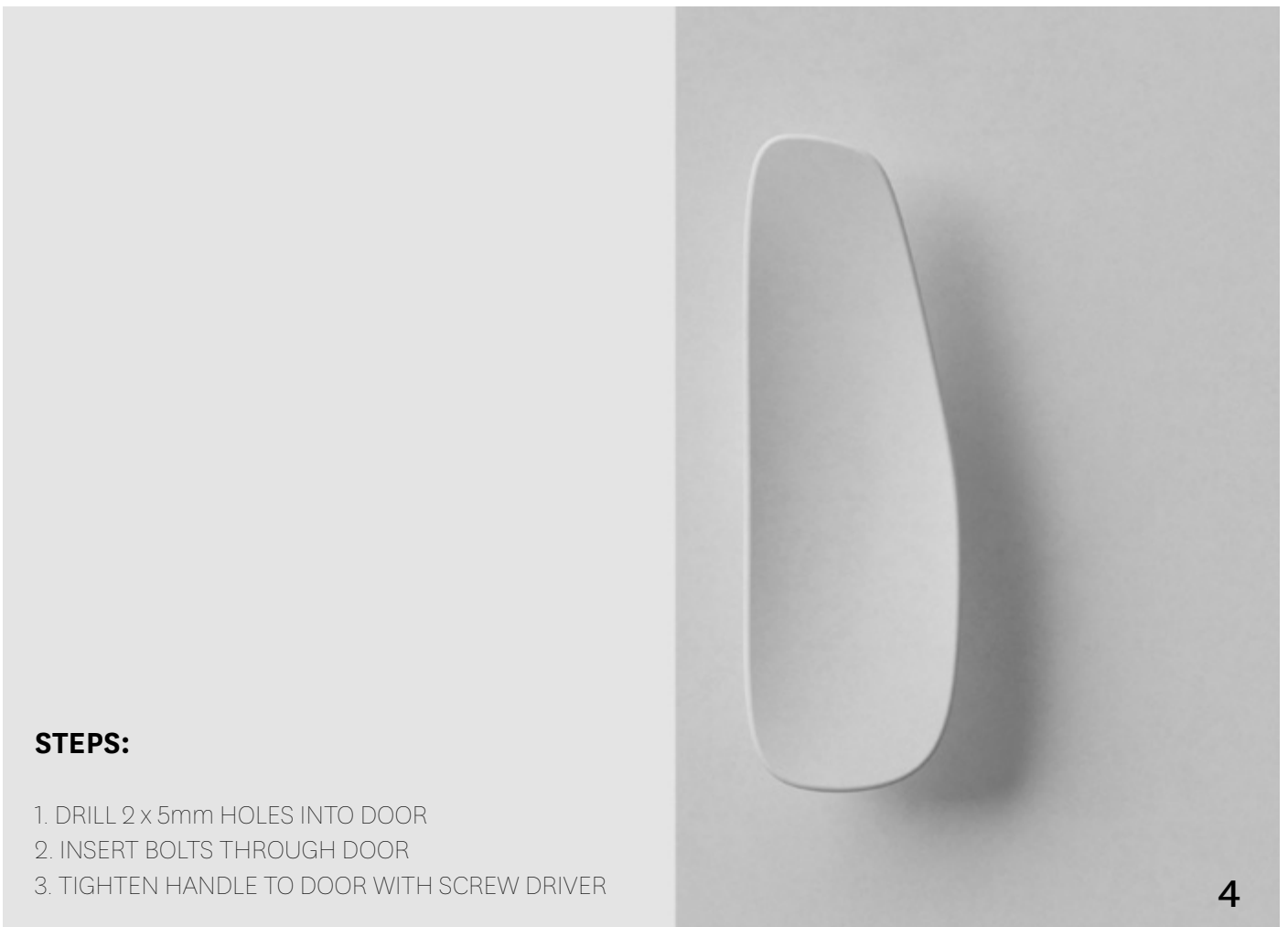


FERMAT JOINERY
ASSEMBLY - ONE SIDED





3



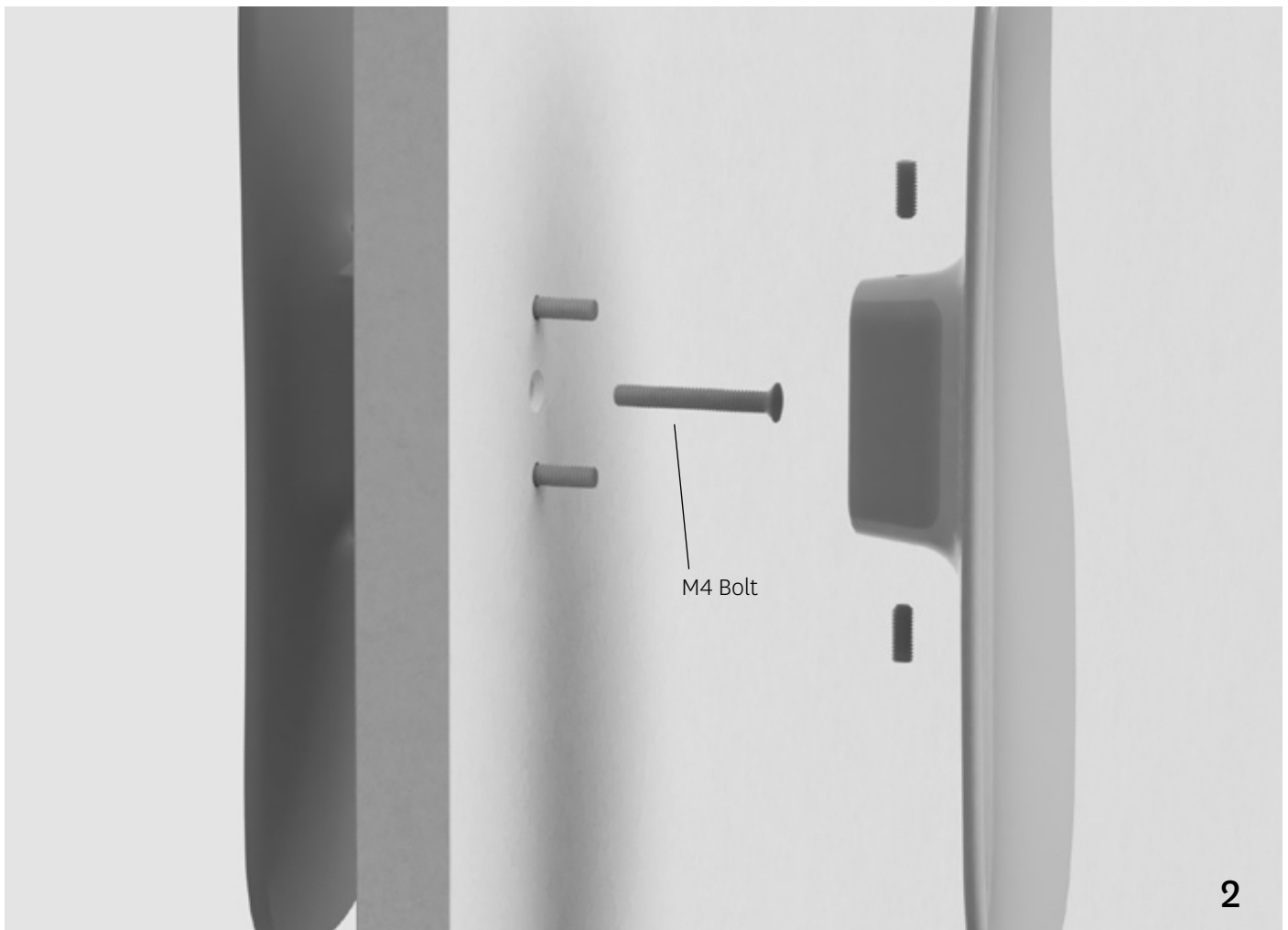
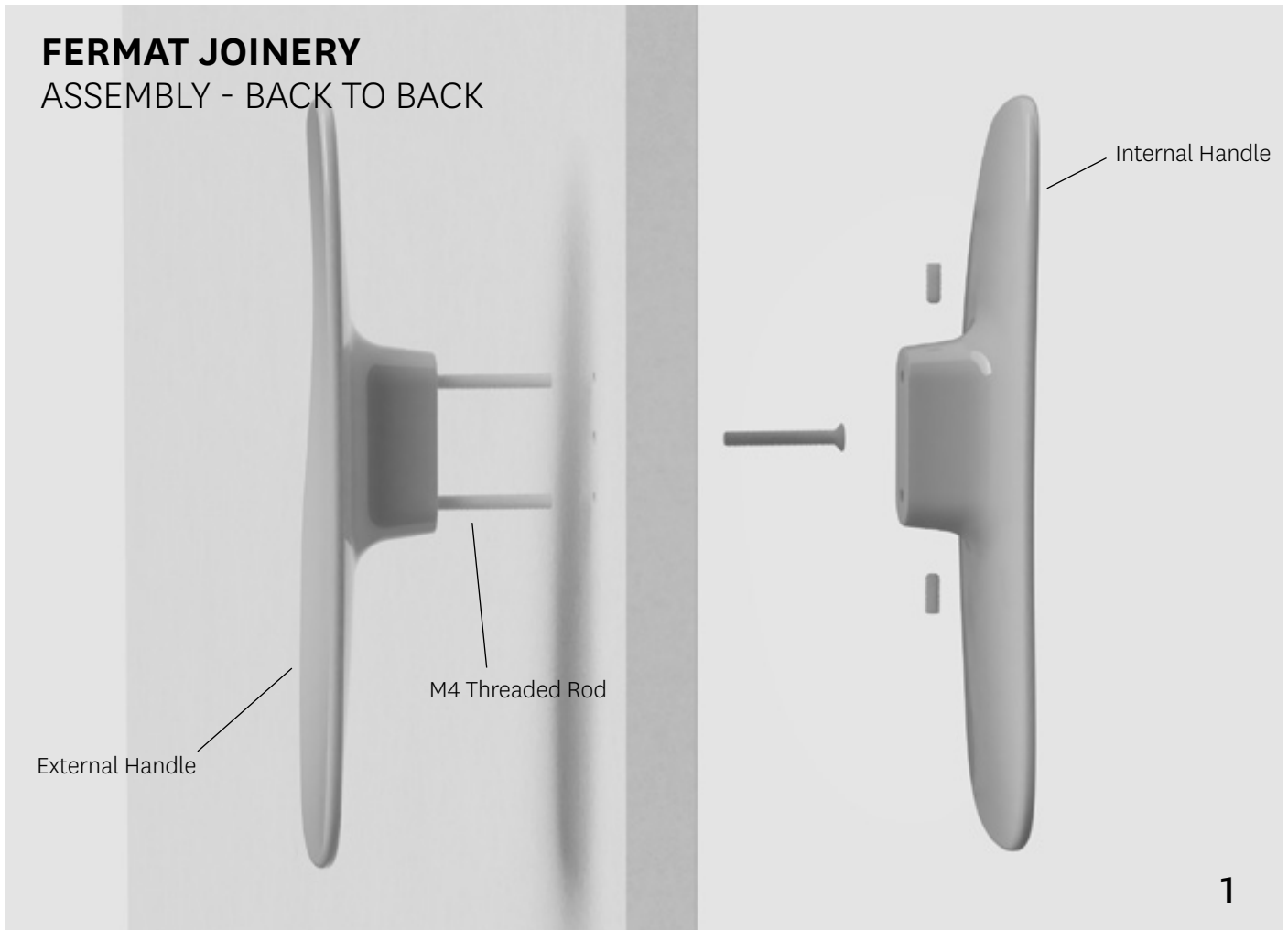
STEPS:

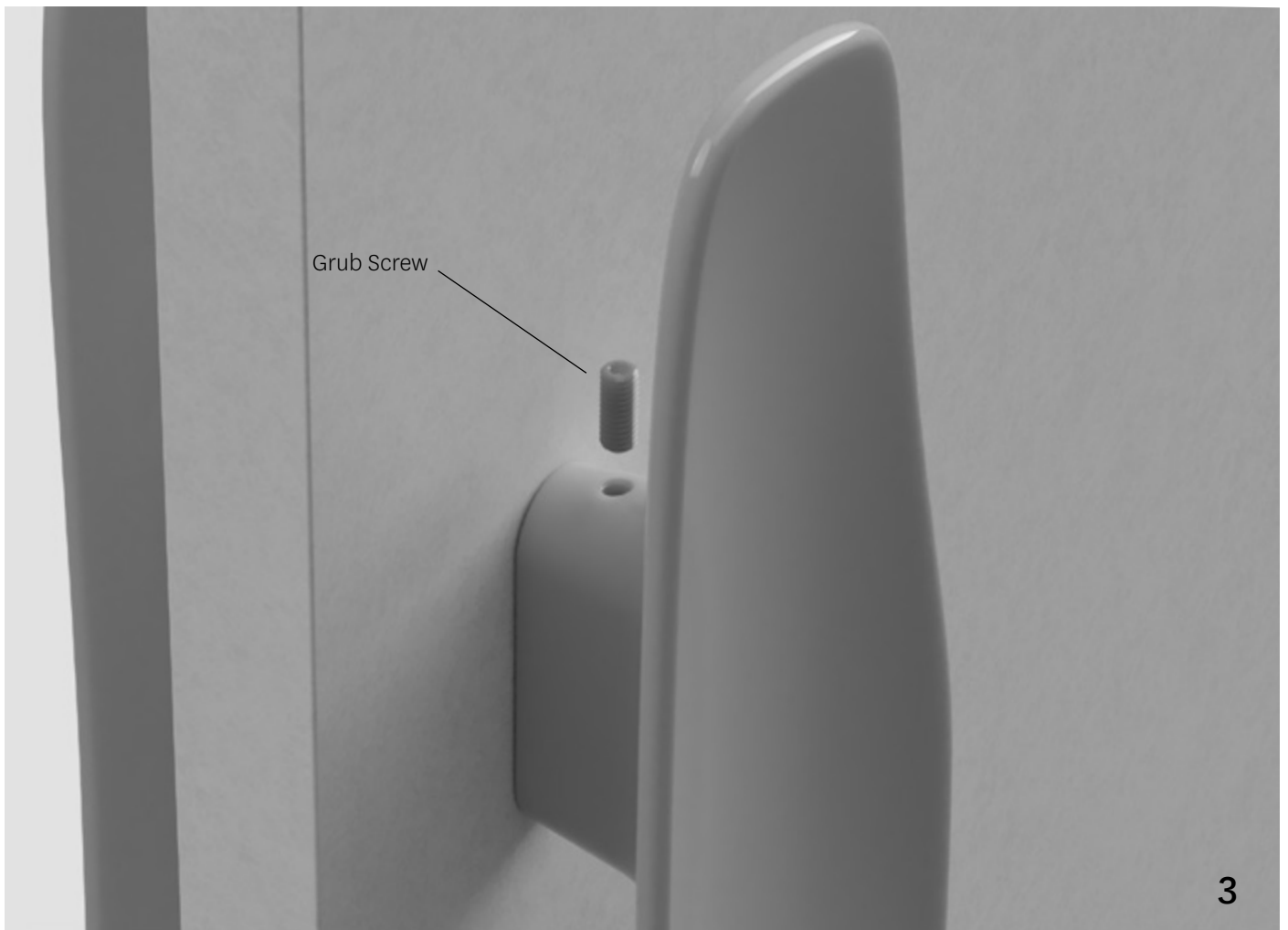
1. DRILL 2 x 5mm HOLES INTO DOOR
2. INSERT BOLTS THROUGH DOOR
3. TIGHTEN HANDLE TO DOOR WITH SCREW DRIVER

4

FERMAT JOINERY

ASSEMBLY - BACK TO BACK

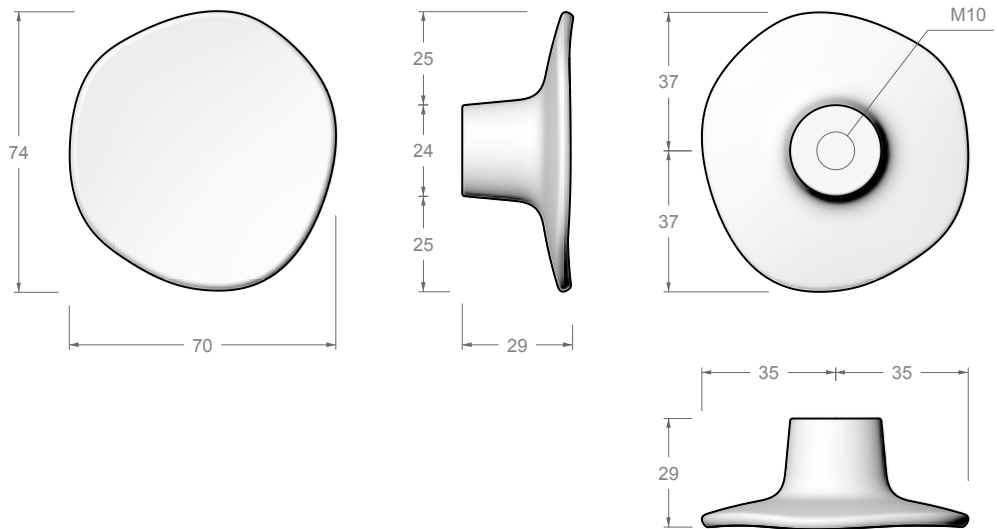




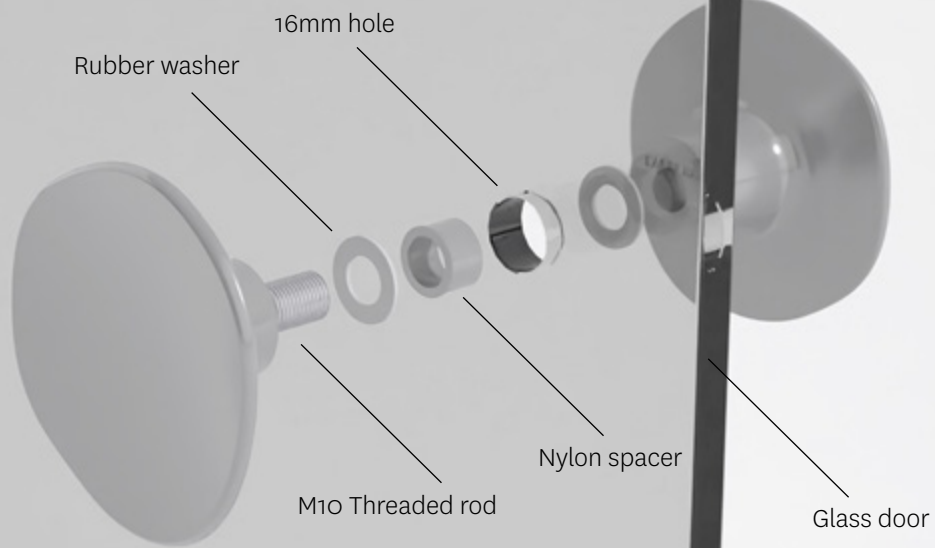
STEPS:

1. DRILL 3 x 5mm HOLES INTO DOOR
2. INSERT EXTERNAL HANDLE INTO DOOR
3. INSERT M4 COUNTERSUNK BOLT INTO DOOR AND TIGHTEN
4. SLIDE INTERNAL HANDLE ONTO THREADED ROD
5. INSERT GRUB SCREWS AND TIGHTEN WITH ALLEN KEY

FERMAT SHOWER SHOWER SCREEN



FERMAT SHOWER SCREEN ASSEMBLY - BACK TO BACK



1

Turn both handles into
each other until tight



STEPS:

1. 16mm HOLE ON GLASS DOOR IS REQUIRED
2. INSERT NYLON SPACER INTO HOLE
3. THERE IS NO INNER OR OUTER HANDLE, THE ORDER IS NOT IMPORTANT
4. PROVIDED RUBBER WASHER ARE REQUIRED TO AVOID DAMAGING GLASS
5. INSERT HANDLE WITH M10 THREADED ROD, TIGHT THEM TOGETHER

2